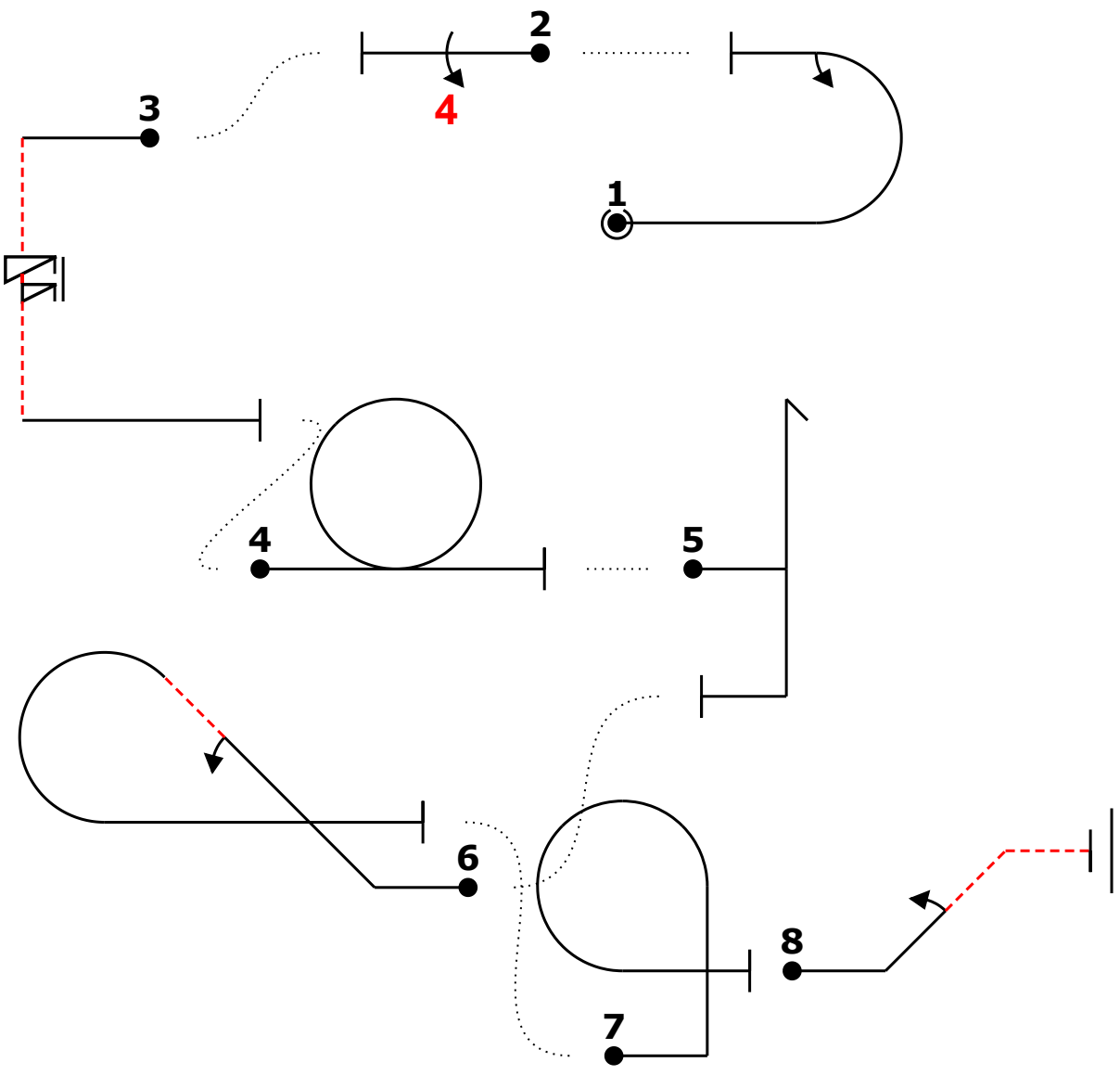
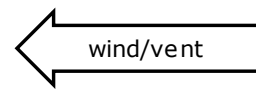


Pilot ID	Flight #
----------	----------

No	Symbol	Cat. No.	K	Total K	Grade	Pos	Remarks	Item	K	Grade
1		7.2.2.1 9.1.3.2	6 4	10	.			Pos.		
2		1.1.1.1 9.4.3.4	2 11	13	.			Fig K	Total K	
3		1.1.6.3 9.11.1.6	10 3	13	.			103	103	
4		7.4.1.1	10	10	.			Penalties		
5		5.2.1.1	17	17	.			Too Low		
6		8.5.2.1 9.1.2.2	10 6	16	.			Too High		
7		8.6.1.1	11	11	.			Interruptions		
8		1.1.3.1 9.1.2.2	7 6	13	.			Insertions		
								Trg Violation		
								Wing Rocks		
								Disqual Fig		
								Other(note...)		
								Final Freestyle		
								Duration	Min	Sec
								Judges Details		
								Signature		
								Name		
								Number		

Sportmen Unknown #2
Pilot
A/C

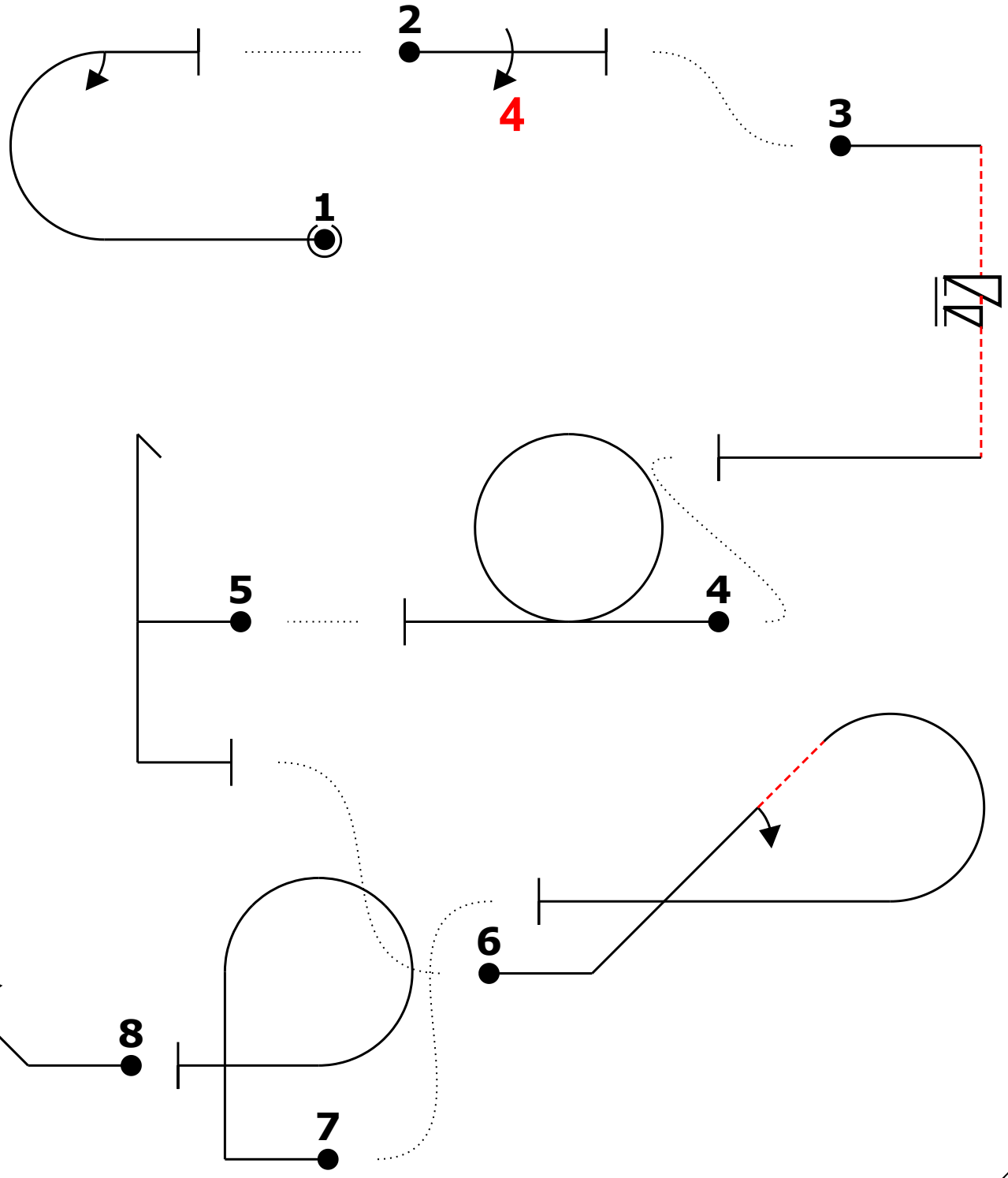
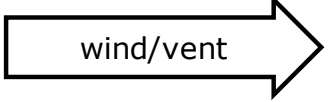
Pilot ID		Flight #
----------	--	----------



Power			
Fig	Aresti	K	
1	7.2.2.1	6	10
	9.1.3.2	4	
2	1.1.1.1	2	13
	9.4.3.4	11	
3	1.1.6.3	10	13
	9.11.1.6	3	
4	7.4.1.1	10	10
5	5.2.1.1	17	17
6	8.5.2.1	10	16
	9.1.2.2	6	
7	8.6.1.1	11	11
8	1.1.3.1	7	13
	9.1.2.2	6	
Total K = 103			

Sportmen Unknown #2
Pilot
A/C

Pilot ID		Flight #
----------	--	----------



Sportmen Unknown #2
 Pilot
 A/C

wind/vent

